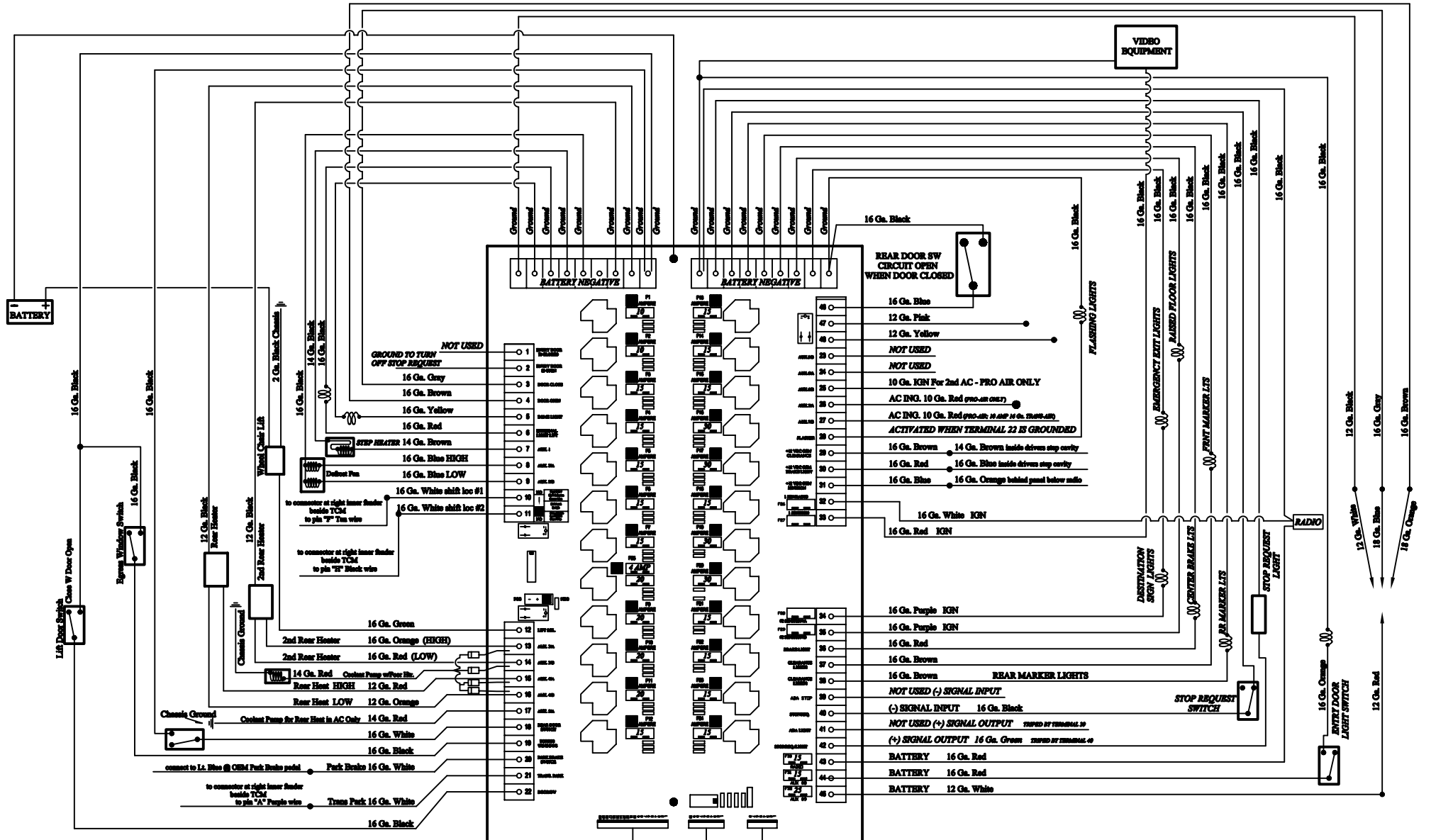


- GMT 560 -



THIS DRAWING AND THE INFORMATION THEREON ARE THE EXCLUSIVE PROPERTY OF THE STARCRAFT CORPORATION. IT SHALL NOT BE COPIED OR DUPLICATED IN ANY MANNER, NOR SHALL IT BE SUBMITTED TO OUTSIDE PARTIES FOR EXAMINATION WITHOUT OUR WRITTEN CONSENT. IT IS LOANED FOR USE WITH REFERENCE TO WORK UNDER CONTRACT WITH, OR PROPOSALS SUBMITTED TO THE STARCRAFT CORPORATION.

REV. LET.	DESCRIPTION OF CHANGE	BY	CHK	DATE	ECN No.

STARCRRAFT AUTOMOTIVE INC.
BUS & MOBILITY DIVISION

TOLERANCE UNLESS OTHERWISE SPECIFIED		DATE: 6-14-04	TITLE: SCHEMATIC, WIRING MAIN - GMT 560 -
± .00	± .030	DFTSN: EDT	DWG. No. S1004
± .000	± .015	CHKR:	SCALE
± .0000	± .005	APRVD:	DISK No.
			SHEET 1 OF 1